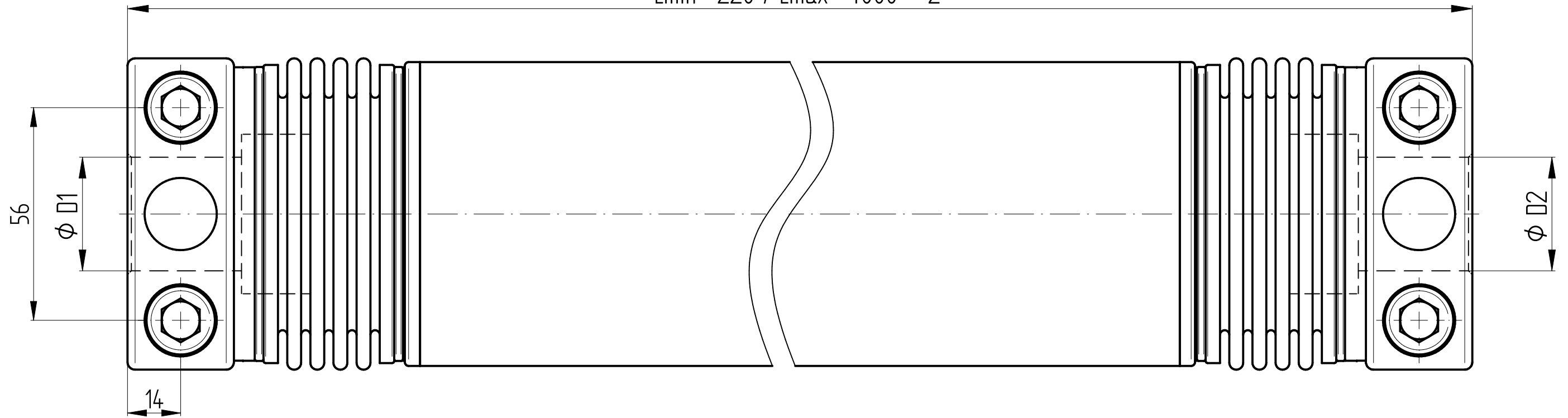


$L_{min} = 220 / L_{max} = 4000 \pm 2$



technical Data:

nominal torque: 200 Nm
 maximum torque: 400 Nm
 axial shaft displacement: max. ± 15 mm
 D1 - D2 min/max: 19 / 42 mm
 temperature range: -40 up to +90 °C

For lengthy technical data ,
 see data sheet or on request

material:

bellows: stainless steel 1.4571
 hubs: high-tensile strength aluminium
 intermediate pipe: aluminium

| | | | | | | | | | |
|---------------|--|------------------------|--|---|--|-----------------|--|-----------------|--|
| | | Änderung | | Werkstoffbezeichnung | | Werkstoffnummer | | Maßstab | |
| | | | | - | | - | | 1:1 | |
| | | | | Rohteil-/Vorteilnummer | | Gewicht | | | |
| | | | | - | | - kg | | | |
| | | | | Metal Bellows Coupling with Intermediate Pipe | | | | | |
| | | | | WD 200 - L= variable | | | | | |
| | | | | gepr. | | 02.06.20 | | AR | |
| | | | | gez. | | 07.07.16 | | Be | |
| Passung | | Abmaß | | Datum | | Name | | Format A3 | |
| DIN ISO 13715 | | DIN ISO 2768-mK | | - | | - | | Artikelnummer | |
| -0,4 | | 0,5 ... 6 $\pm 0,1$ | | - | | - | | MB-140 20377 -e | |
| +0,8 | | 6 ... 30 $\pm 0,2$ | | - | | - | | Ersatz für | |
| | | 30 ... 120 $\pm 0,3$ | | - | | - | | ersetzt durch | |
| | | 120 ... 315 $\pm 0,5$ | | - | | - | | | |
| | | 315 ... 1000 $\pm 0,8$ | | - | | - | | | |
| | | | | D-63839-Kleinwallstadt | | | | | |