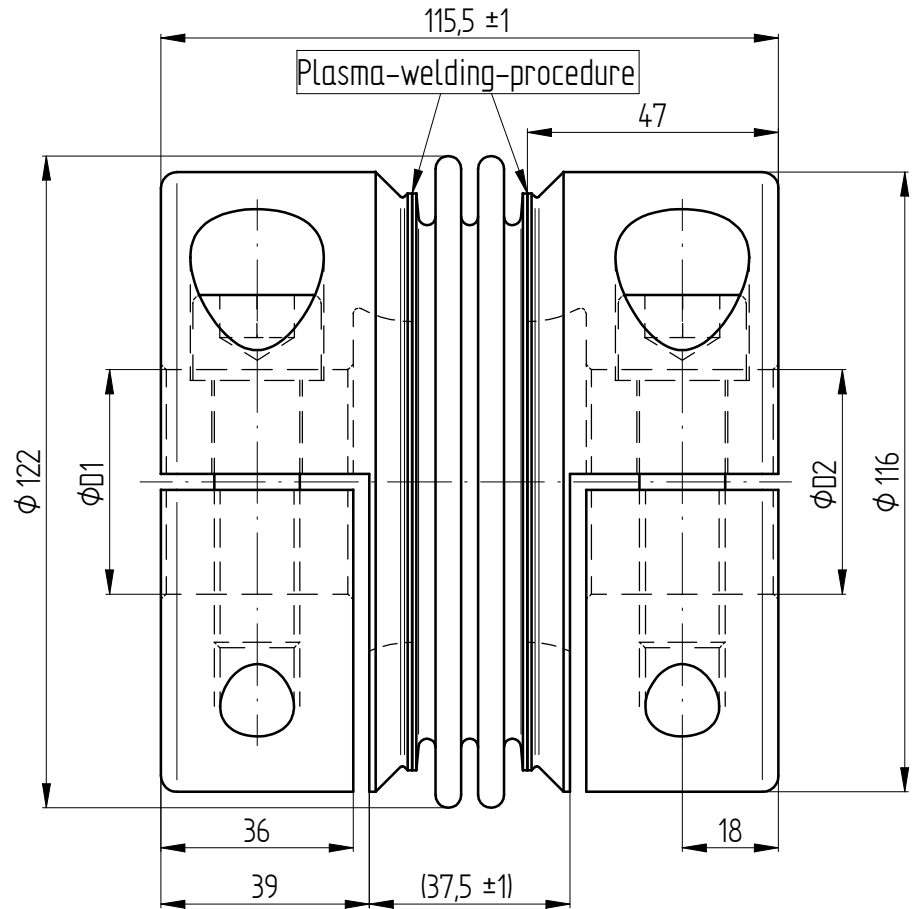
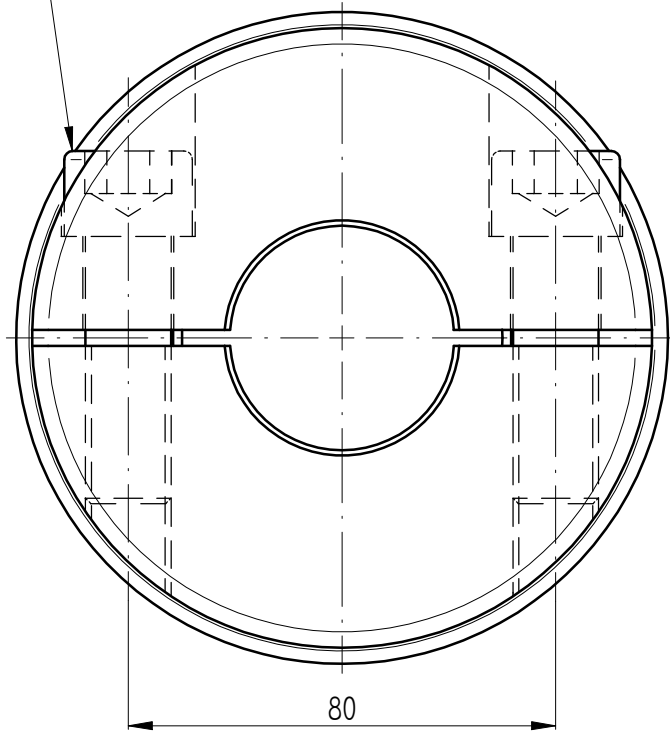
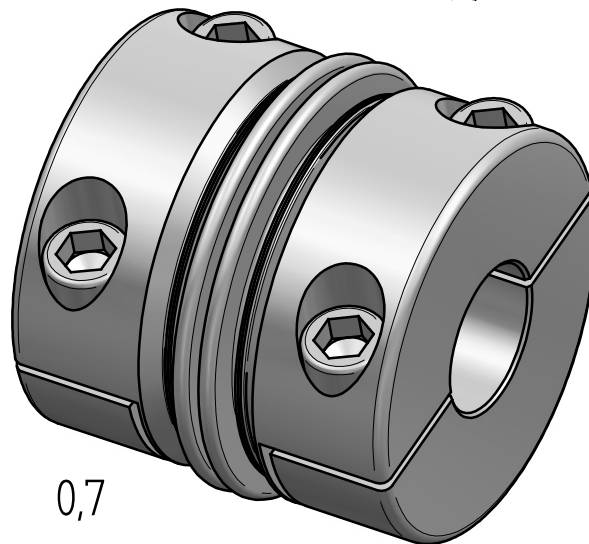


M16 - ISO 4762 - TA=180 Nm



technical data:

- nominal torque: 600 Nm
- maximum torque: 1200 Nm
- torsional stiffness: 190 Nm/arcmin
- moment of inertia: $12 \cdot 10^{-3} \text{ kgm}^2$
- max. axial shaft displacement: $\pm 0,4 \text{ mm}$
- max. lateral shaft displacement: 0,1 mm
- axial spring rate: 260 N/mm
- lateral spring rate: 15000 N/mm
- D1/2 min/max = $\phi 32 / \phi 60 \text{ mm}$
- mass: approx. 6,7 kg
- temperature range: $-40^\circ \text{ up to } +350^\circ \text{C}$



material:

- bellows: stainless steel 1.4571 / A4
- hubs: stainless steel 1.4301 / A2
- clamping screws: stainless steel A4-80
(optional: ISO 4762 - 12.9)

| | | | | | | |
|---------------|--------------------|------|----------|-----------------------------------|-----------------|---------|
| | | | | Werkstoffbezeichnung | Werkstoffnummer | Maßstab |
| | | | | - | - | 1:1 |
| | | | | Rohteil-/Vorteilnummer | Gewicht | |
| | | | | - | - kg | |
| | | | | metal bellows coupling | | |
| | | | | KGH-VA 600 / 2W - standard | | |
| | | | | MB - 029 22983 - e | | |
| Passung | Abmaß | gez. | Datum | Name | | |
| DIN ISO 13715 | DIN ISO 2768-mK | | 14.03.17 | Be | | |
| -0,4 | 0,5 ... 6 ± 0,1 | | | Benennung | | |
| +0,8 | 6 ... 30 ± 0,2 | | | Format A3 | | |
| | 30 ... 120 ± 0,3 | | | Artikelnummer | | |
| | 120 ... 315 ± 0,5 | | | Ersatz für | | |
| | 315 ... 1000 ± 0,8 | | | ersetzt durch | | |
| | | | | D-63839-Kleinwallstadt | | |